

M5 Series Furnaces

M5S* Oil Gun

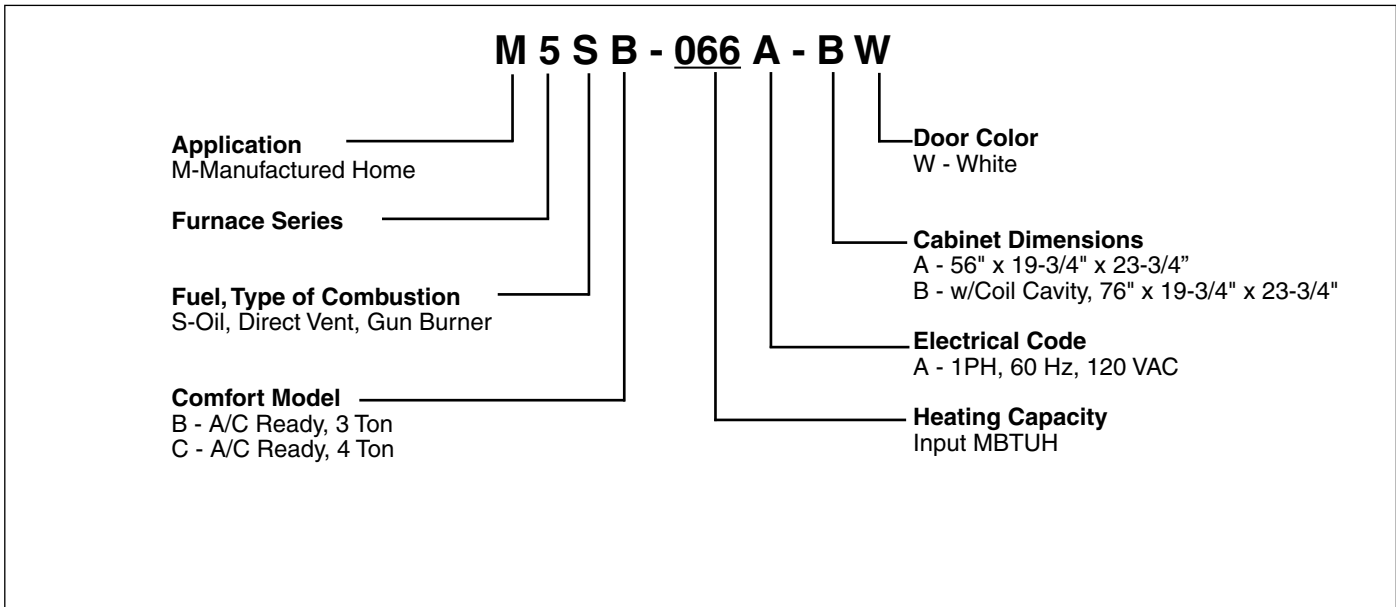
The M5 Series furnace is designed for all sizes of manufactured and modular homes. These units incorporate high efficiency, reliability, and low maintenance. Units may be installed free standing in a utility room or enclosed in an alcove or closet. M5 Series furnaces are available in A/C adaptable or A/C ready, with or without coil cavity box, multiple blower combinations for cooling requirements, and many burner options.



FEATURES and BENEFITS

- **Sealed Combustion System:** Vents exhaust gas directly outdoors and draws in 100% outside air for the burner.
- **Easy Open Pawl Latch:** Secures the door firmly for transit, yet allows easy removal for access.
- **Choice of Air Conditioning Options:** From 2 to 5 tons A/C ready.
- **Large, Effective Air Filter:** Room air is cleaner with this permanent washable filter.
- **High Efficiency Drum Heat Exchanger:** Delivers optimum heat transfer with low air resistance.
- **Appliance Quality Door:** Protects against rust and other corrosion. Baked enamel finish allows for easy cleaning.
- **Fully Insulated Cabinet:** Insures minimized heat loss and quiet operation.
- **Reliable Burner:** With uniform flame pattern extends life of heat exchanger.

MODEL IDENTIFICATION

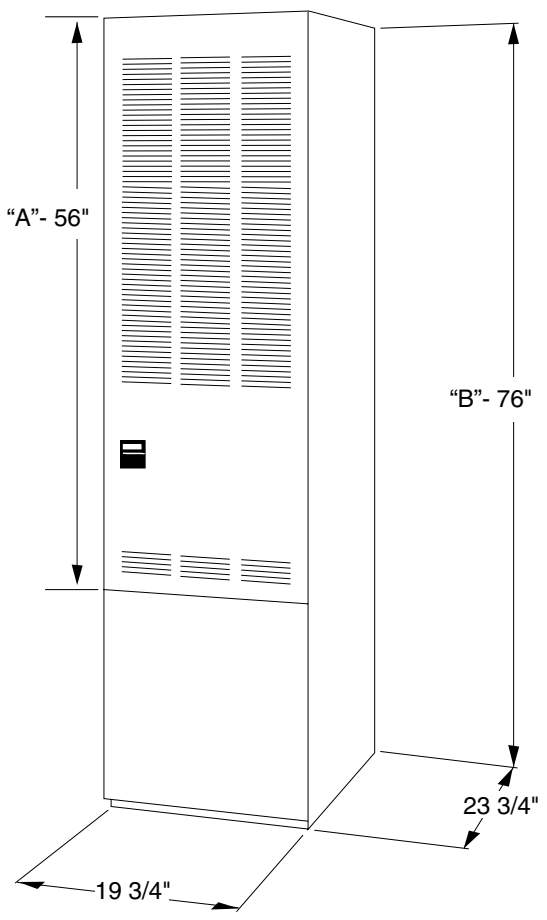


SPECIFICATIONS

Furnace Model No	Input MBtu/h	Output MBtu/h	Nozzle	E.S.P. In WC	Burner Model	Comb. Blower	Motor Hp	Motor FLA	A/C Ready Tons	AFUE %	Shipping Weight	
											A Cabinet	B Cabinet
M5SB 066	66	56	.50 Gph, 80°A	0.3	Beckett	x	1/4	6	3	83	151	165
M5SC 066	66	56	.50 Gph, 80°A	0.3	AF-10	x	1/2	7.9	4		152	167
M5SB 086	86	73	.65 Ghp, 80°A	0.3		x	1/4	6	3		158	173
M5SC 086	86	73	.65 Ghp, 80°A	0.3		x	1/2	7.9	4		159	174

Electrical Supply - 120 volts, 60HZ, 1 Ph.
 Fuse or Breaker - 15 amps
 Temperature Rise - 45° to 75°F
 Thermostat Circuit - 24 volts, 60HZ, 30 vac
 Normal Anticipator Setting - 0.4

DIMENSIONS



"A" Model without Coil Cabinet
 "B" Model with Coil Cabinet

CLEARANCES

ALL MODELS	CLOSET	ALCOVE
Front	6"	18"
Back	0"	0"
Sides	0"	0"
Roof Jack	0"	0"
Top	6"	6"
Top and Sides of Duct	0"	0"
Bottom of Duct		
B Cabinet	0"	0"
A Cabinet (w/coil box)	0"	0"
A Cabinet (w/o coil box)	1/4"	1/4"

BLOWER PERFORMANCE

Model No.	HP/wheel	Speed	ESP (" WC)	CFM WITHOUT COIL				CFM WITH COIL			
				Low	Med-Lo	Med-Hi	High	Low	Med-Lo	Med-Hi	High
M5SB 066 M5SB 086	1/4 HP 10 x 8	3	0.1		740	950	1210		730	930	1140
			0.2		730	940	1190		720	920	1110
			0.3		700	920	1140		690	880	1050
			0.4		670	880	1090		660	840	990
			0.5		640	840	1030		620	790	930
			0.6		610	780	970		580	740	870
M5SC 066 M5SC 086	1/2 HP 11 x 8	4	0.5	810	960	1120	1280	800	940	1070	1160
			0.6	760	920	1080	1220	750	890	1010	1090

ACCESSORIES

Description	Part Number
Blower, 2-3 ton	903773
Blower, 2-4 Ton	903413
Blower, 2-5 Ton	903890
Automatic Cavity Damper	901083
New England Safety Kit	901855
Ceiling Rings (2 piece adjustable)	902521
Transit Vent Kit 12 / carton	903838
AC Coil Box 20"	911969A
AC Coil Box 24"	922594
Oil Burner Transformer Isolation Kit	1018453

Sloped Roof Flashings	Part Number
2.5" in 12" - 4 / carton	903893
3" in 12" - 4 / carton	903894
4" in 12" - 2 / carton	903895

Roof Jack	Part Number
FAW1523-0A	903658
FAW2135-0A	903659
FAW2747-0A	903660
SAW3563-2A	903664
SAW5195-2A	920638
SAW2747-4A	903678A
SAW3563-4A	903665A
SAW5195-4A	903666A

Vent Kits	Part Number
VentilAire Soffit Vent Kit	917201A
Air Tube Kit M (high capacity M Series gas/oil furnaces)	914118
VentilAire III - Sloped 3/12	914098B
VentilAire IV - Sloped 3/12	914229B

Plenum Connectors	Part Number
11.25 x 13.50 x 0.88 12 / carton	901987A
11.25 x 13.50 x 2.00 12 / carton	901988A
11.25 x 13.50 x 4.25 6 / carton	901989A
11.25 x 13.50 x 6.25 6 / carton	901990A
11.25 x 13.50 x 8.25 4 / carton	901991A
11.25 x 13.50 x 10.25 3 / carton	901992A
11.25 x 13.50 x 12.25 3 / carton	901993A
11.25 x 13.50 x 6.25 24 / carton	902681A

Stainless Steel	Part Number
FAW 2135-0S	903671
SAW 2135-2S	903672
SAW 3563-2S	903673
SAW 5195-4S	903674A

Flue Extensions	Part Number
E110A-5	901935
E118A-5	903107
E116A-5	901937



GENERAL TERMS OF LIMITED WARRANTY

Nortek Global HVAC, LLC will furnish a replacement for any part of this product which fails in normal use and service within the terms and conditions of the warranty.

For complete details of the Limited Warranty, including applicable terms and conditions, see your local installer or contact the Nortek Global HVAC, LLC warranty department for a copy.

Before purchasing this appliance, read important energy cost and efficiency information available from your retailer. Specifications and illustrations subject to change without notice and without incurring obligations. Printed in U.S.A (01/2022)