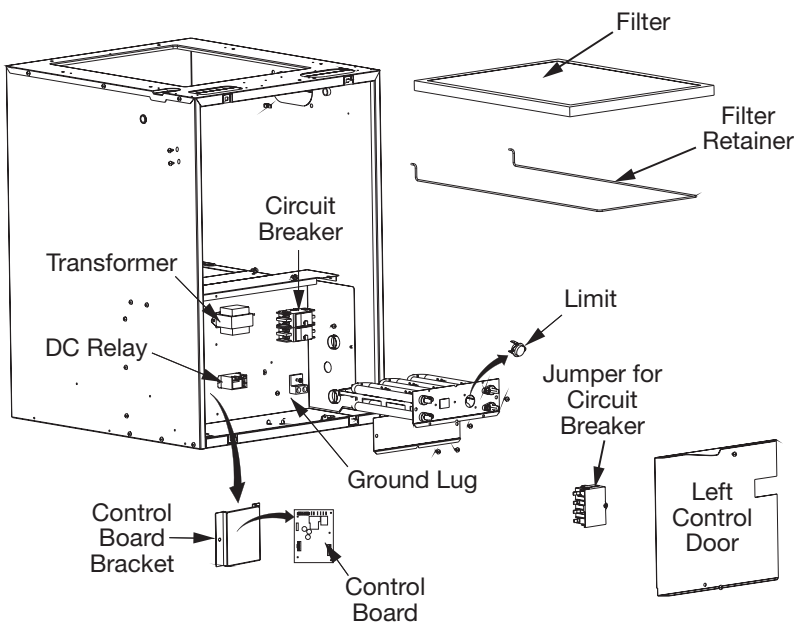
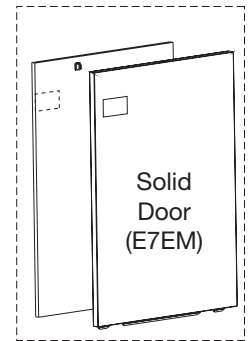
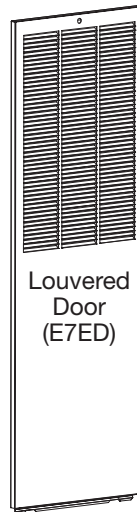
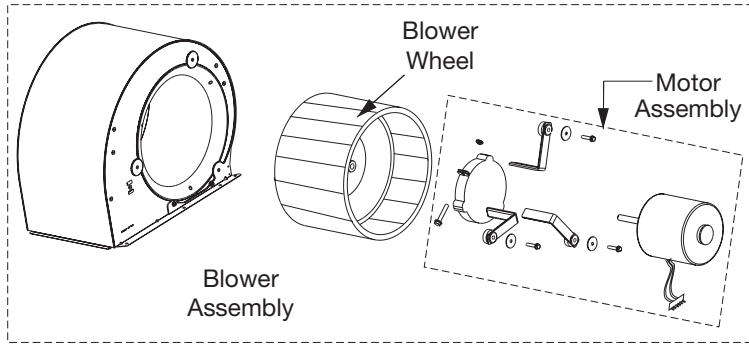


REPLACEMENT PARTS LIST

E7 SERIES ELECTRIC FURNACE MODELS

-010, -012, -015, -017, -020, -023



E7 ELECTRIC FURNACE REPLACEMENTS PARTS LIST

| DESCRIPTION | MODEL KW | | | | | |
|--|----------|----------|----------|----------|----------|----------|
| | -010 | -012 | -015 | -017 | -020 | -023 |
| Blower Motor (1/2 Hp, PWM) | 622686 | 622686 | 622686 | 622686 | 622686 | 622686 |
| Blower Wheel (10 X 8) | 667037R | 667037R | 667037R | 667037R | 667037R | 667037R |
| Circuit Breaker (6-Amp, 2-Pole) | 1034963R | 1034963R | 1034963R | 1034963R | 1034963R | 1034963R |
| Control Board | 1006801R | 1006801R | 1006801R | 1006801R | 1006801R | 1006801R |
| Control Board Bracket | 280671R | 280671R | 280671R | 280671R | 280671R | 280671R |
| Control Door (Left - 10 Kw) | D00721R | - | - | - | - | - |
| Control Door (Left - 12-23 Kw) | - | 1036450R | 1036450R | 1036450R | 1036450R | 1036450R |
| Control Door (Right) | D00740R | D00740R | D00740R | D00740R | D00740R | D00740R |
| DC Relay | 1025375R | 1025375R | 1025375R | 1025375R | 1025375R | 1025375R |
| Door Latch Assembly | 1036349R | 1036349R | 1036349R | 1036349R | 1036349R | 1036349R |
| Door (Louvered - E7ED Models) | 1036444R | 1036444R | 1036444R | 1036444R | 1036444R | 1036444R |
| Door (Solid - E7EM Models) | 917260 | 917260 | 917260 | 917260 | 917260 | 917260 |
| Door (Solid - E7EU Models) | 1036445R | 1036445R | 1036445R | 1036445R | 1036445R | 1036445R |
| Element Assembly (5.0 Kw @ 240v) | - | - | 902818* | - | - | - |
| Element Assembly (5.4 Kw @ 240v) | - | - | - | 902820* | - | - |
| Element Assembly (10.0 Kw @ 240v) | 902821# | - | 902821# | - | 902821† | 902821* |
| Element Assembly (10.8kw @ 240v) | - | - | - | 902823# | - | - |
| Element Assembly (11.6kw @ 240v) | - | 902824# | - | - | - | 902824# |
| Filter (20" X 18") | 668860R | 668860R | 668860R | 668860R | 668860R | 668860R |
| Filter (Front, 18" X 30") | 1007623R | 1007623R | 1007623R | 1007623R | 1007623R | 1007623R |
| Fuse (3-Amp - Not Shown) | 632261R | 632261R | 632261R | 632261R | 632261R | 632261R |
| Ground Lug | 632235R | 632235R | 632235R | 632235R | 632235R | 632235R |
| Hole Plug (1/2") | 632307R | 632307R | 632307R | 632307R | 632307R | 632307R |
| Hole Plug (3/4") | 632308R | 632308R | 632308R | 632308R | 632308R | 632308R |
| Limit (1 Pole) | - | - | 626459R | 626459R | - | - |
| Limit (2 Pole) | 626458R | 626458R | 626458R | 626458R | 626458R | 626458R |
| Single Circuit Adaptor Kit (Standard On -012 Model) (optional on -015-023 models)" | - | 913874 | - | - | - | - |
| Transformer (40 Va) | 622762R | 622762R | 622762R | 622762R | 622762R | 622762R |
| Miller Door Logo (Bezel) | 1039363R | 1039363R | 1039363R | 1039363R | 1039363R | 1039363R |
| Intertherm Door Logo (Bezel) | 1039365R | 1039365R | 1039365R | 1039365R | 1039365R | 1039365R |
| Broan Door Logo (Bezel) | 1039364R | 1039364R | 1039364R | 1039364R | 1039364R | 1039364R |
| Revolv Door Logo (Bezel) | 1039367R | 1039367R | 1039367R | 1039367R | 1039367R | 1039367R |
| Maytag Door Logo (Bezel) | 1039366R | 1039366R | 1039366R | 1039366R | 1039366R | 1039366R |

Please specify the correct Model No., Serial No. and part number(s) when ordering parts from the nearest authorized dealer or service center.

* = Bottom element in downflow position unit in the picture.

= Top element in downflow position unit in the picture.

† = Uses quantity of two.

